



# FINGERPRINT DOOR LOCK

## EA-A8N

### SPECIFICATION

**Size:**  
5050 Mortise

**Material:**  
Aluminum alloy

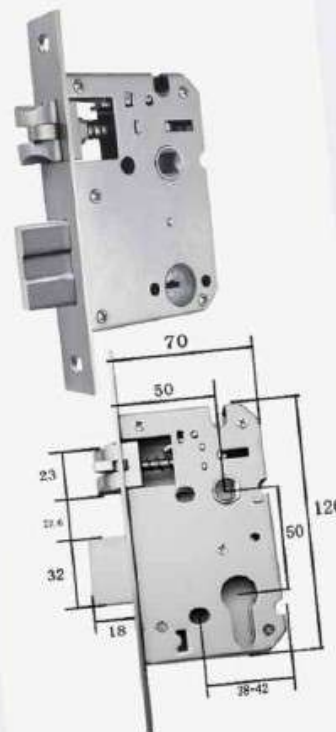
**Connection method:**  
WIFI

**Power supply:**  
NO.5AA alkaline batteries

### SUPPORTED LANGUAGES



### MORTISE



5050 Mortise

### COLOR



### UNLOCKING



App



Fingerprint



Code



Card reading



Key